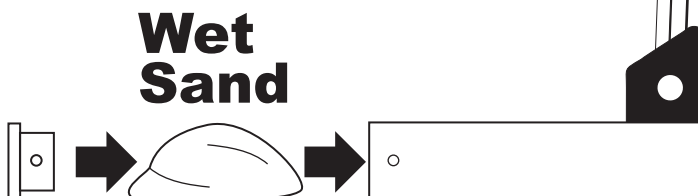
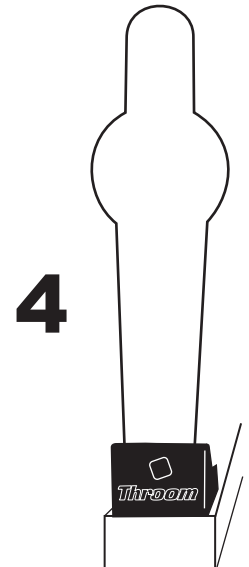
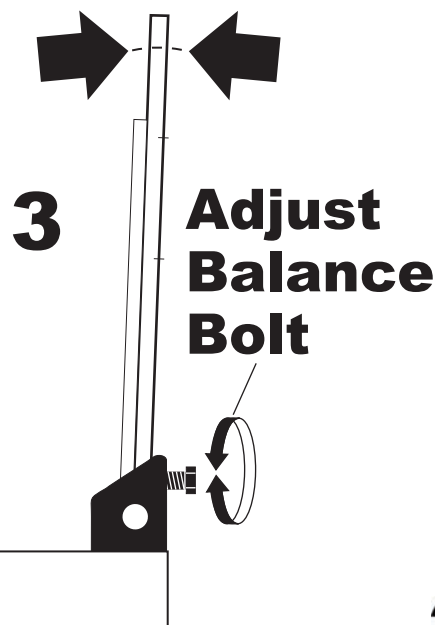
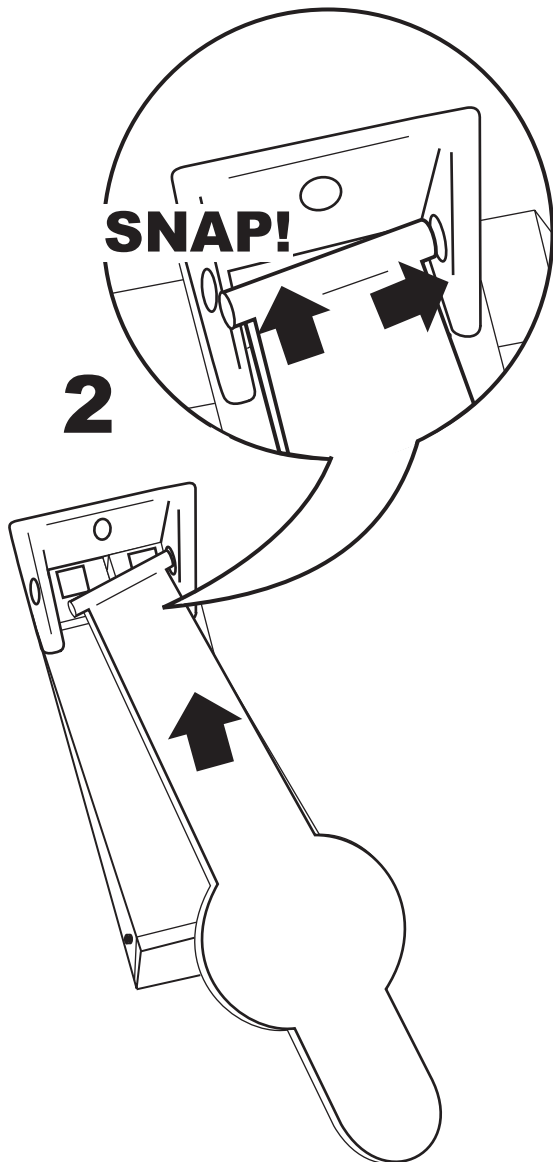
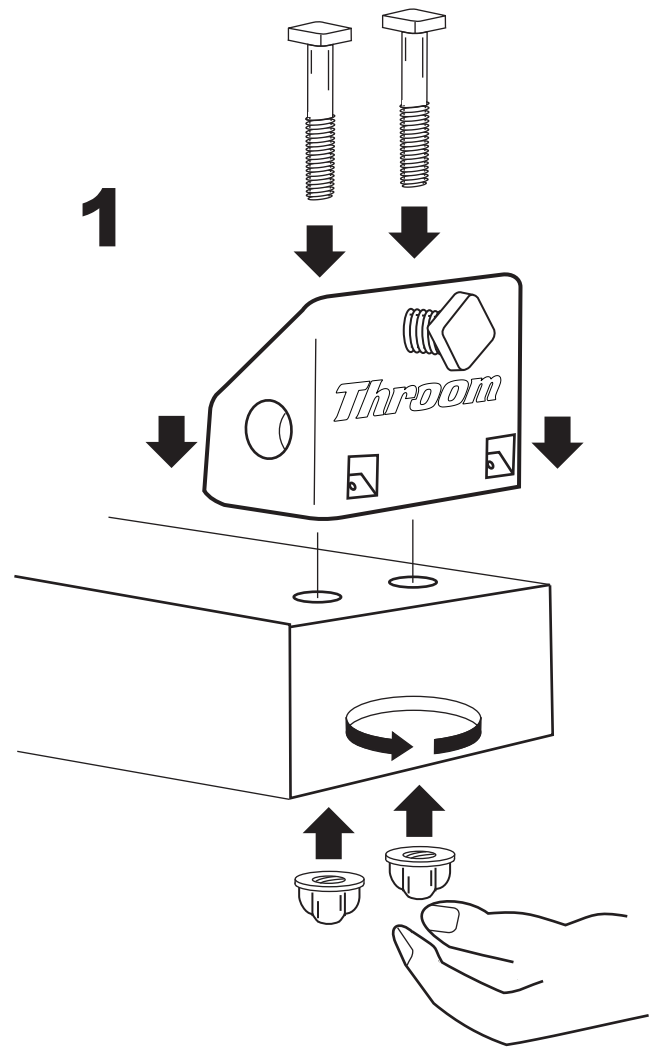
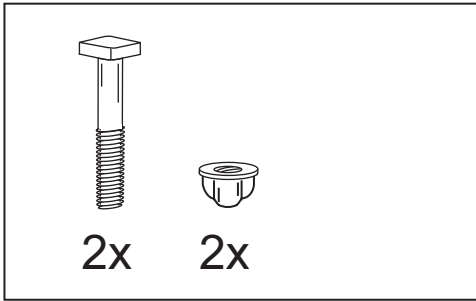


22" PEPPER POPPER + THROOM™ BASE



Throom™ Targets by Newbold™

Shooter/User Instructions

Shooting Throom™ Targets is fun, challenging and can be dangerous. It needs to be done properly and safely at all times.

Read all instructions to avoid injury.

Reactive Throom™ Targets are designed to allow handgun, pistol and rifle bullets to pass completely through the target intact, without ricochet or splatter. Your bullets will pass through Throom™ Targets with very little loss of velocity, so be sure that your target range has an adequate and properly designed backstop or earthen berm beyond your Throom™ Target stand.

Throom™ Targets can be shot at temperatures ranging from -40°F to +120°F.

We recommend that you shoot full-metal jacket roundnose or semi-wadcutter pistol bullets to extend target life. Hollow-point and flatnose bullets will cookie-cut the target and reduce target life.

Always observe your target range safety rules.

Call us at 1-800-992-3301 for further product and safety information. We cannot control the use of Throom™ Targets. We do not imply or accept any liability resulting from the buyer or shooter's use, misuse or modification of Throom™ Targets and Throom™ Target accessories. The Buyer and/or Shooter assumes all risk and responsibility for injury to yourself or someone else or damage to any property while using or misusing Throom™ Targets.

Shooting at Throom™ Targets May Be Hazardous and Can Cause Injury or Death

- ⚠ DANGER:** Throom™ Targets are not designed to stop bullets. Your bullets will penetrate, pass completely through Throom™ Targets and keep going into your target range's backstop.
- ⚠ DANGER:** When shooting Throom™ Targets, your bullets must pass completely through the target. Your bullets need sufficient velocity (750 feet per second or more) to pass completely through the target without ricochet or bounce-back to the shooter or bystanders.
- ⚠ DANGER:** Never shoot Throom™ Targets with .22-shorts, B-B's, air gun pellets, sling shot ammunition and/or projectiles of any type with a sling shot or similar device. Due to insufficient velocity, they will ricochet and bounce-back to the shooter and bystanders.
- ⚠ DANGER:** Do not mount Throom™ Targets within 25-yards of hard objects like rocks, steel or other hard items that can cause ricochets. Mount Throom™ Targets on soft wood target stands to eliminate ricochet and bounce-back to the shooter and bystanders. Wear shatter-resistant eye protection and long-sleeved shirts and long pants.

We ask that you use Throom™ Targets in the manner in which they are intended, without alteration or modification and in accordance with the instructions listed above in order to maximize your safety and enjoyment.

Please shoot safe.

Questions? Phone: 1-800-992-3301
Outside U.S.: 1-732-469-5654

© Newbold™, Inc. 2021. All Rights Reserved
Throom™ is a Trademark of Newbold, Inc.